

### Front Suspension

#### Anti Roll Bar:

- 2.2mm Green
- 2.3mm White
- 2.4mm Blue
- 2.5mm Yellow

#### Steering System:

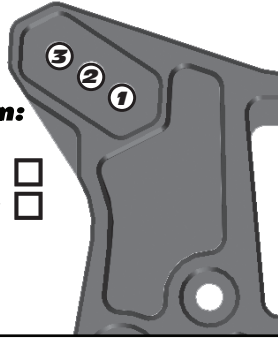
- Swing Rack
- Bellcrank Rack

Bumpsteer Washers: \_\_\_\_\_

Camber: \_\_\_\_\_

Caster: \_\_\_\_\_

Toe: \_\_\_\_\_



**Upper Hinge Pin Bushing**

Front # \_\_\_\_\_  
Up  Down

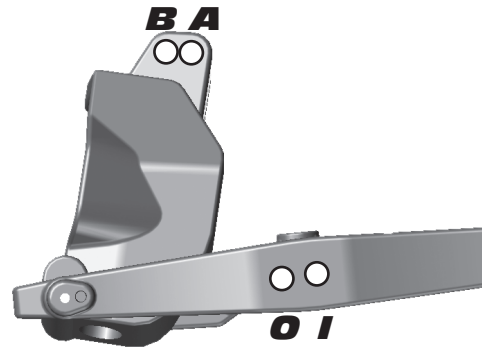
Rear # \_\_\_\_\_  
Up  Down

**B-Plate Type**

Low  Original

**Kickup Bushing A-Plate**

# \_\_\_\_\_  
Up  Down



Ride Height: \_\_\_\_\_

### Rear Suspension

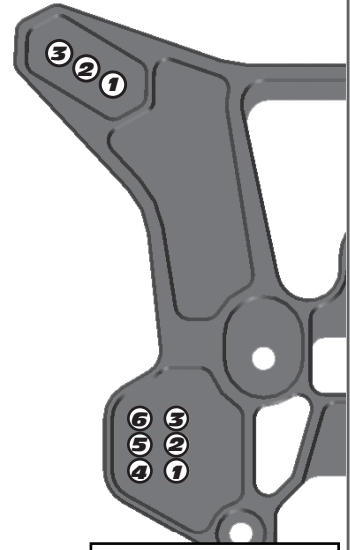
#### Anti Roll Bar:

- 2.5mm Green
- 2.6mm White
- 2.7mm Blue
- 2.8mm Yellow

#### Wheelbase:

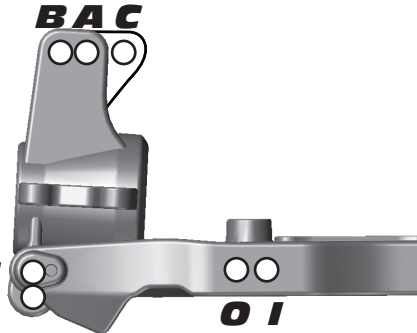
- Long
- Medium
- Short

Camber: \_\_\_\_\_



**Toe Bushing D-Plate**

# \_\_\_\_\_  
In  Out



Hub: Upper Lower

**Squat Bushing C-Plate**

# \_\_\_\_\_  
Up  Down

Ride Height: \_\_\_\_\_

### Front Shocks

Spring: \_\_\_\_\_ Shock Cap: \_\_\_\_\_  
Shock Fluid: \_\_\_\_\_ Length: \_\_\_\_\_  
Piston: \_\_\_\_\_ Rebound: \_\_\_\_\_

### Rear Shocks

Spring: \_\_\_\_\_ Shock Cap: \_\_\_\_\_  
Shock Fluid: \_\_\_\_\_ Length: \_\_\_\_\_  
Piston: \_\_\_\_\_ Rebound: \_\_\_\_\_

### Chassis Braces / Wheel Hex

Chassis Braces: Wheel Hex:  
Pivot  Standard   
Molded  Narrow   
Aluminum

### Chassis Weight

Weight: \_\_\_\_\_  
\_\_\_\_\_  
\_\_\_\_\_

### Rear Hubs

Rear Hubs:  
Standard   
CNC FT Alum.

### Differentials

Front Diff Fluid: \_\_\_\_\_  
Center Diff Fluid: \_\_\_\_\_  
Rear Diff Fluid: \_\_\_\_\_  
Notes: \_\_\_\_\_

### Body / Wing

Body Type: \_\_\_\_\_  
Wing Type: \_\_\_\_\_  
Gap to Tower (MM): \_\_\_\_\_

### Gearing

Spur Gear: \_\_\_\_\_  
Pinion: \_\_\_\_\_

### Motor / ESC / Batteries

Motor & Wind: \_\_\_\_\_  
ESC: \_\_\_\_\_  
ESC Setting: \_\_\_\_\_  
Batteries: \_\_\_\_\_

### Tires

Tire (F/R): \_\_\_\_\_ / \_\_\_\_\_  
Compound (F/R): \_\_\_\_\_ / \_\_\_\_\_  
Inserts (F/R): \_\_\_\_\_ / \_\_\_\_\_  
Wheel (F/R): \_\_\_\_\_ / \_\_\_\_\_  
Notes: \_\_\_\_\_

### Radio / Servos

Radio: \_\_\_\_\_  
Steering Servo: \_\_\_\_\_ Steering Expo: \_\_\_\_\_  
Brake Expo: \_\_\_\_\_  
Initial Brake: \_\_\_\_\_ Drag Brake: \_\_\_\_\_  
Dual Rate: \_\_\_\_\_

### Race and Vehicle Comments

Qualify: \_\_\_\_\_ Main: \_\_\_\_\_ Finish: \_\_\_\_\_ TQ: \_\_\_\_\_  
Comments: \_\_\_\_\_  
\_\_\_\_\_  
\_\_\_\_\_

### Track Info

Traction: High  Medium  Low   
Surface: Smooth  Bumpy  Blue Groove   
Soft Dirt  Grass  Clay  Wet   
Astroturf  Dusty  Other: \_\_\_\_\_